

Operation Instructions

Make your choice...

M-236E Automatic door back-up power with lithium battery

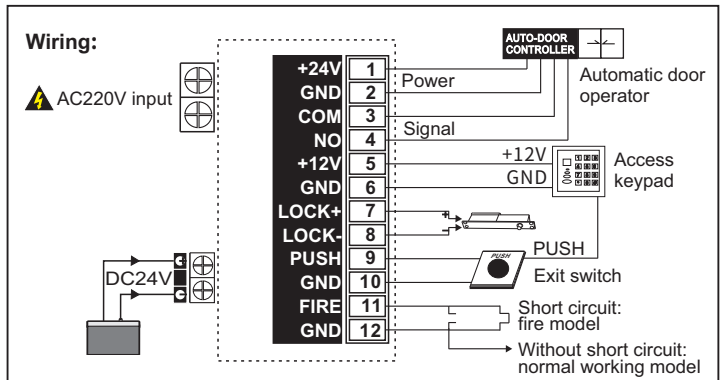
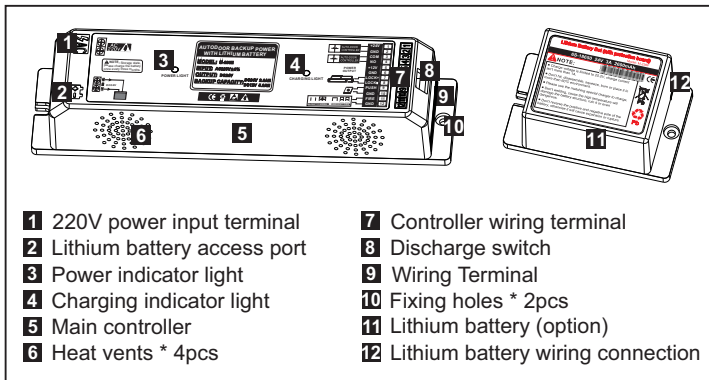


1 Safety Instructions

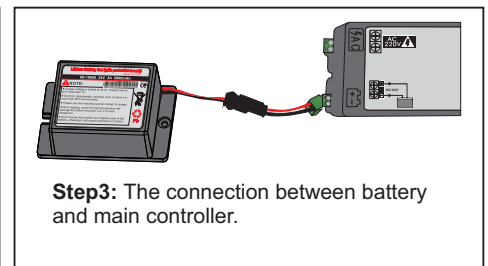
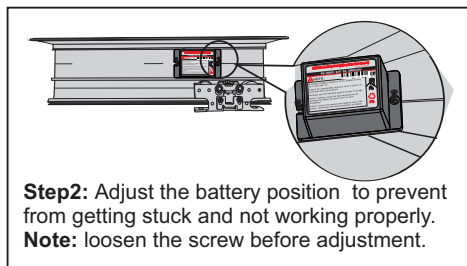
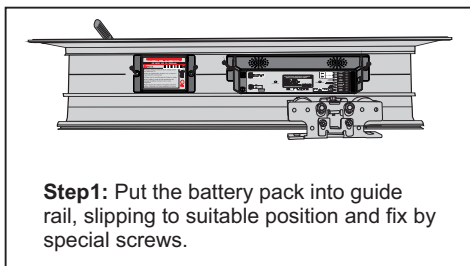


Thanks you for purchasing our product, please read this instruction before using.

2 Product Overview



3 Installation And Adjustment



1. If want to extend the working time, you could add another one piece of lithium battery when power failure happened.
2. Please put the battery into track in 30° inclined.

4 Function Setting

Working mode: FIRE and GND (NO short circuit)
BACKUP TO NORMAL – Door work as normal once power failure.

Fire model: FIRE and GND short circuit
EMERGENCY OPEN – Door keep open once power failure.

5 Note

- Storage state, need to be charged once in three months.
- 2 kinds of wires of AC input: Live line and Zero line.
- In order to improve the service life of the battery, the battery should be charged for more than 12 hours when it is first used.
- Maintenance should be undertaken by professional maintainer.
- System will automatically be cut when the storage batteries low to certain voltage rated value.

6 Parameter

| | | | |
|------------------------|---|-----------------------|----------------------|
| Input Voltage: | AC220V, 50Hz | Charging time: | Around 10 hours |
| Output Voltage: | DC24V, 2.6AH; DC12V, 5.2AH | Open times: | About 550 times |
| Working Mode: | Automatic working or keep opening | Controller Dimension: | 243(L)×59(W)×45(H)mm |
| Indicator and Protect: | LED display charging process, low voltage automatically cut off | Storage battery size: | 96(L)×59(W)×45(H)mm |