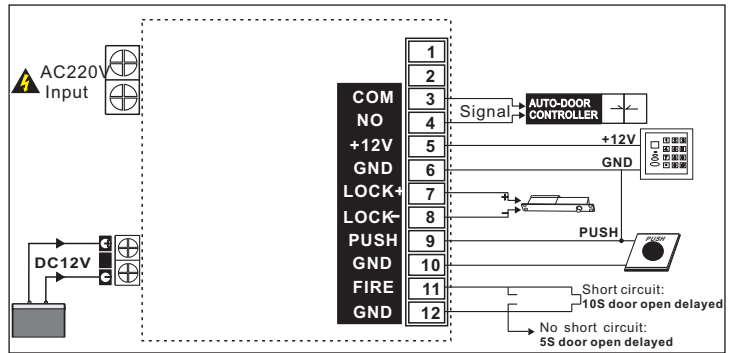


Operation Instruction

M-211 access back-up power with lithium battery

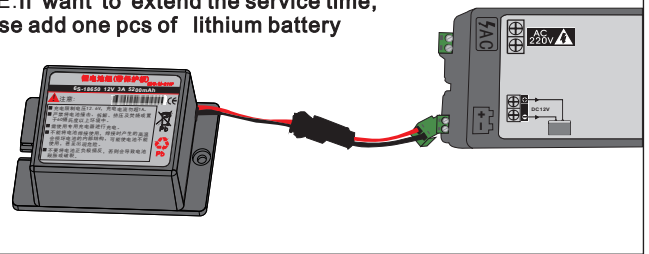


4 Wiring

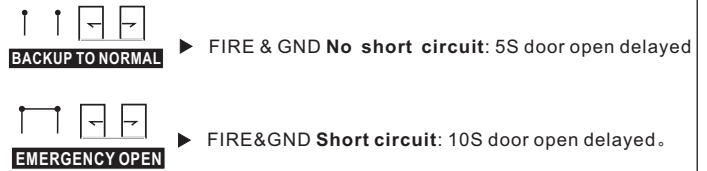


5 Connection with main controller

NOTE: If want to extend the service time, please add one pcs of lithium battery



6 Function Setting



7 NOTE

- 2 kinds of wires of AC input: Live line and Zero line.
- Built-in self recovery fuse, when short circuit fault happen, the fuse automatically disconnect, After get right, it will automatically switched on.
- With high voltage circuit, non-professional person may not open cover, more not for electricity maintenance.
- The power supply shall be installed in the sealed space as far as possible, should maintain a certain ventilation.

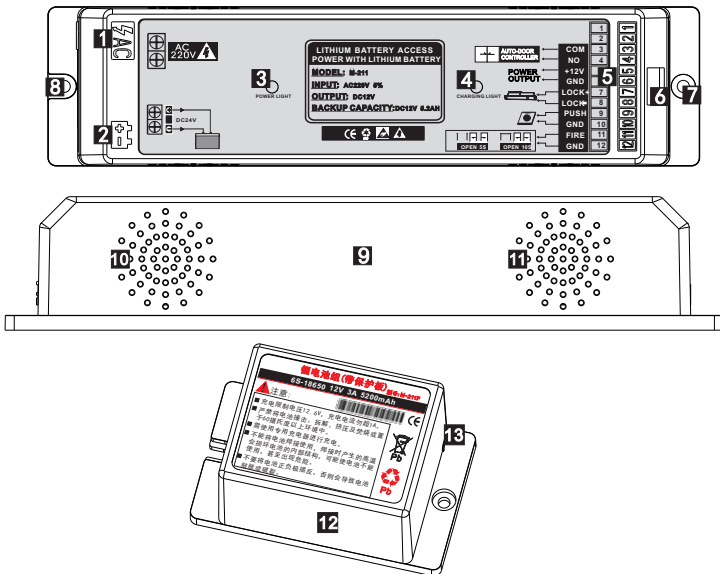
8 Parameters

Input power:	AC220V±5%
Output power:	DC12V
Max output current:	5A
Delay adjustment:	5S OR 10S
Lock& door release Time different :	0.5S
Battery capacity:	5200mAH
Controller Dimension:	243mm (L) × 59mm (W) × 45mm (H)
Battery dimension:	96mm (L) × 43mm (W) × 55mm (H) (Optional)

1 Safety Instruction

Thanks so much for purchasing this product, please read this instruction before using.

2 Product overview



- 1 220 V Power Input
- 2 lithium battery connector
- 3 Power light
- 4 battery charging/discharge light
- 5 Wiring Connector
- 6 On-off switch for battery
- 7 8 Position fixed hole
- 9 Main Controller
- 10 11 louver
- 12 lithium battery(optional)
- 13 lithium battery connect to main controller

3 Overall Characteristic

- Using high-performance high-efficiency transformer, high output effect, less heat, low noise.
- Adopt international appearance and panel design, small size, suitable all kinds of installations
- with lock released signal and dry relay signal separated, and time difference, to release lock firstly and then open door.
- passive signal input, available for different door open control method.
- Adopt time-delayed dry contact relay output, this product can be used as converter for access signal with delayed contact feature.
- Door delayed open 5S OR 10S optional.