

Operation Instructions

Make your choice...

M-205S Single-channel Remote Controller

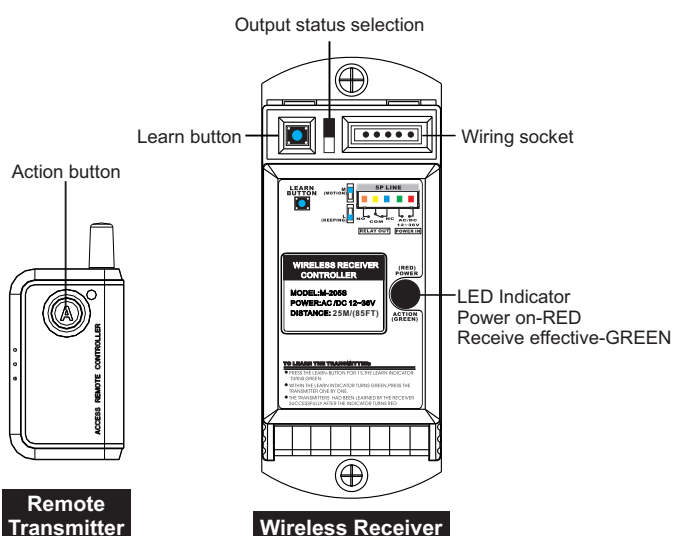


1 Safety Instructions



Thank you for your purchasing, please read the instructions before using.

2 Product Overview



Remote Transmitter

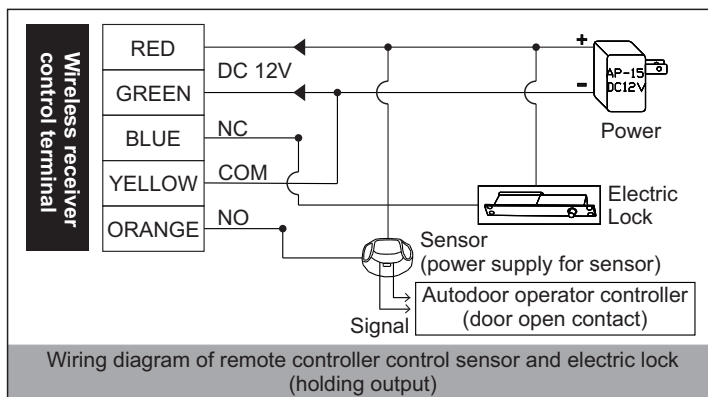
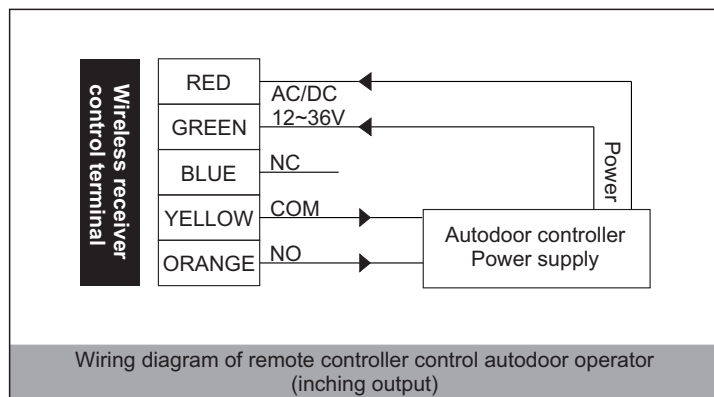
Wireless Receiver

- This product is self-learning code type, the transmitter code must be matched with this controller before use, can learn up to 16 transmitters.
- Learning method: Press the receiver's learning button once, the indicator light turns to green, enter the learning state, at this time, press the remote controller's button, the green light flashes twice, means learn successfully. After 3 seconds, it will automatically exit and return to the standby state.
- Delete method: Press and hold the learning button for 5 seconds, the green light flashes, all the codes will be deleted. (Can't delete any single code)
- For the switching of the inching and holding output, it should be operated in the power off state.

Output Status Selection

- ① **M** If the status selection switch is in M position, it is a inching output. Each time press the remote control, it will output a door opening signal about 2s.
- ② **L** If the status selection switch is in L position, it is a holding output, output signal is kept. Each time press the remote control, the output state will change once.

3 Wire Diagram



4 Technical Parameters

Wireless Receiver	Weight:150g
Power Supply: AC/DC12~36V	Remote Transmitter
Static Current:15mA	Power supply: 12V 23A
Action Current:80mA	Battery life: every day 200 times, about 300 days
Relay contact capacity:20A 14VDC	Launch distance: No barrier distance 25m
Contact holding time: 2s	Work environment: temperature -42°C~45°C, humidity 10~90%RH
Dimension: 123(L)x50(W)x32(H)mm	Dimension: 75(L)x37(W)x15(H)mm