

Operation Instruction

Make your choice...

M-238M Non-contact switch for special room

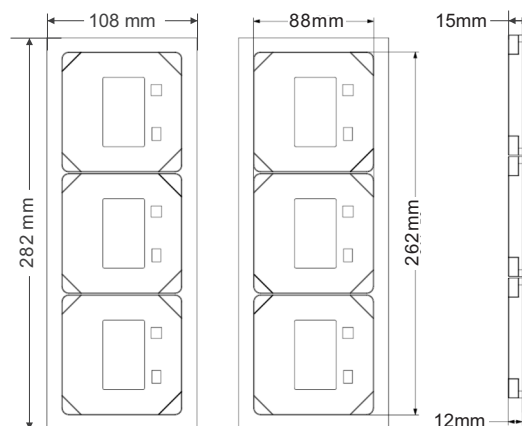
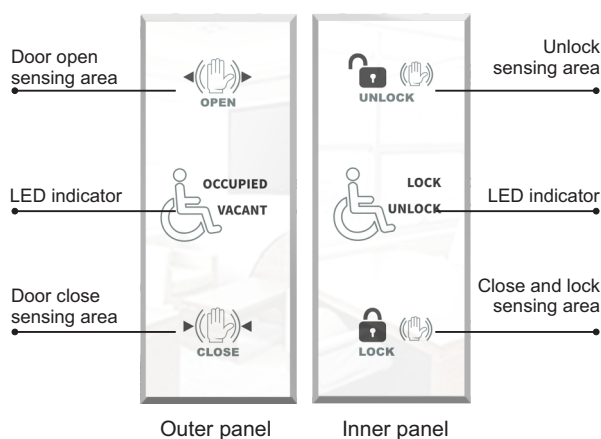


NOTE: White, gold, black color is optional; For styles, Handicapped, Family, Nursing sign are available.

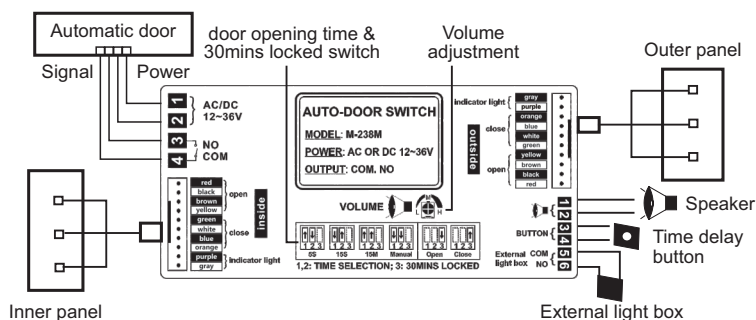
1 Safety Instruction

! This device must use a low voltage with protected safety insulation, all commissioning and repair work must be installed by a professional engineering installer.

2 Product Overview



3 Wiring Diagram



The inner and outer panel wiring are the same.
 Red, black, brown, yellow => Door open sensing port;
 Green, white, blue, orange => Door close sensing port;
 Purple, grey => LED indicator

4 Operation

- [1] After power on, in standby mode, "VACANT" indicator of the outer panel is on, "UNLOCK" indicator of the inner panel is on.
- [2] Wave hand to sense the outer panel's door open sensing area, automatic door is open, and with a voice prompt of "Door is opening".
- [3] After entering the room, wave hand to sense the inner panel's close and lock sensing area, automatic door will be locked, and with a voice prompt of "Door is closing". If more than 5 seconds without any closing instructions, it will have a voice prompt "Enter the room, please wave hand to lock".
- [4] After locked, "OCCUPIED" indicator of outer panel is on, "LOCKED" indicator of inter panel is on. At this time, if someone wave hand to sense the outer panel, it will have a voice prompt "Occupied" and door won't be opened.
- [5] When the person inside is done, wave hand and sense the door open sensing area, automatic door is open and it will have a voice prompt "door is opening".
- [6] After the person inside came out, automatic door will be closed automatically according to the setting time of the dial switch, or wave hand to sense the outer panel's door close sensing area, door will be locked. At the same time, it will have a voice prompt "door is closing", the system return to standby state.

NOTE:

- [1] When sense the inter panel's door open sensing area, after 5 seconds, then you can effectively sense the inner panel's close and lock sensing area to set the locked mode, otherwise it will have a voice prompt of "Door is invalid locked, please press the lock button again".

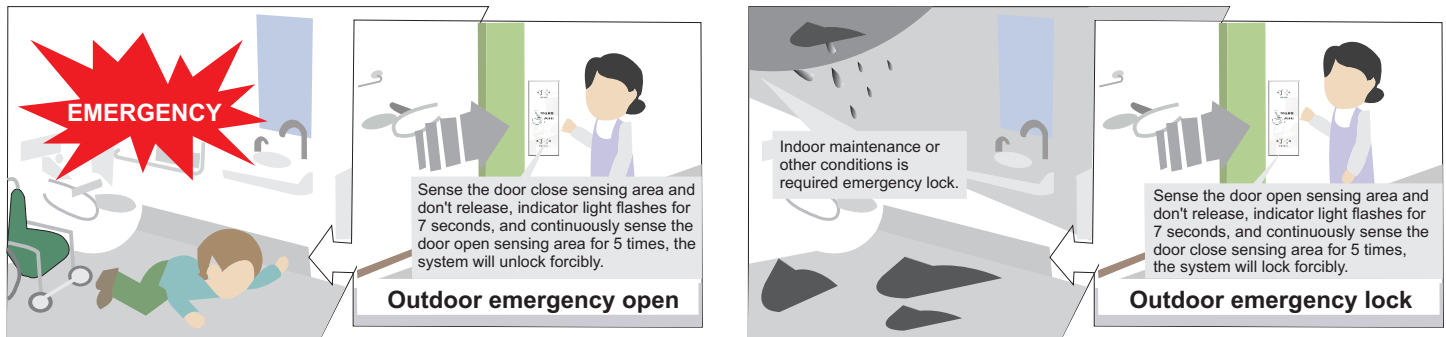
[2] When in the standby mode for more than 1 minute, you must first sense the inner/outer panel's door open sensing area, and after 5 seconds, to sense the inner panel's close and lock sensing area, then door can be locked successfully.

[3] When the DIP button of door opening hold time is set to manual mode, please ignore the above two items.



NOTE: The system into the locked state and 25 minutes without any action indication, there will have a voice prompt "please note that this system will be unlocked after 5 minutes, if you need to continue to use, please push the confirm button, thank you". At this time, please sensing the door lock area of internal panel or push the Time Delay Button, the system will extend 30 minutes of use time automatically. If no any operations, the system will unlock after 5 minutes. This function can be canceled by NO.3 dial switch.

5 Special operation

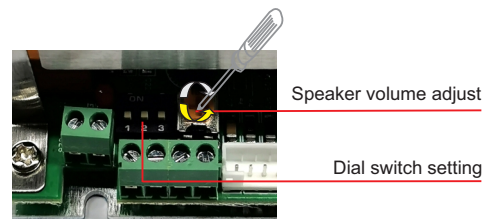


6 Adjustment

[1] **Volume adjustment:** Adjust the position of the speaker volume, clockwise adjust for high volume, counter clockwise to adjust for low volume.

[2] **Door open hold time adjustment:**

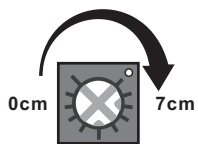
DIP Switch	Door opening time adjustment				30mins locked function	
	1 2 3	1 2 3	1 2 3	1 2 3	1 2 3	1 2 3
Setting	5s	15s	15min	Manually	Open (Lock time for 30 minutes)	Close (Lock time no limit)



Note:

- (1) 5s, 15s, 15min, these time means when sensing and open the door, if without any closing instructions, door will close after arrived this setting time.
- (2) Manually setting means when sensing and open the door, you must wave hand to close the door, if without any actions, door will remain open state.

[3] **Sensitivity adjustment:**



The clockwise direction the induction distance becomes farther, the counterclockwise direction the induction distance becomes closer, and the maximum induction distance is 7cm.
Note: the adjustment button is on the back of the panel.

7 Troubleshooting

Symbol	Reason	Methods
Cannot learn background after sensing the panel	1, Check if there are any metal objects nearby	Keep away from metal objects
	2, Excessive interference from external power supply	Connect the Ground Wire of the controller to the ground
The sensing distance is near or sensing frequency is high	Too low or too high sensitivity adjustment	Adjust potentiometer of the back of the panel to proper sensing distance.
The internal and external panel control door opening and closing sequence is abnormal	Confirm whether the wiring is correct	Please follow the instructions to complete the wiring

8 Parameter

Working Voltage:	AC/DC 12~36V	Light case:	Can be connect to indicator light box
Current:	Standby 110mA, action 135mA (12Vpower)	Door open hold time:	5s, 15s, 15mins, Manually
Voice:	English, Chinese, Cantonese (can be customized)	Sensing distance:	0-7cm
Output:	Relay dry contact	Panel Size:	282(L)x108(W)x15(H)mm
Speaker:	4-8Ω, 1-5W external speaker	Main Controller Size:	143(L)x60(W)x40(H)mm

9 Packing List

Controller *1, Inner panel *1, Outer panel *1, 10-Pin wiring(5.5 meters) *2, Instructions *1, Horn *1