

电插锁说明书

电锁特点:

工作电压:12VDC

红色 → 电源 (+)

黑色 → 电源地 (-)

工作电流:(普通)启动状态450mA 持续状态450mA

(低温)启动状态750mA 持续状态180mA

线圈类型:连续工作型

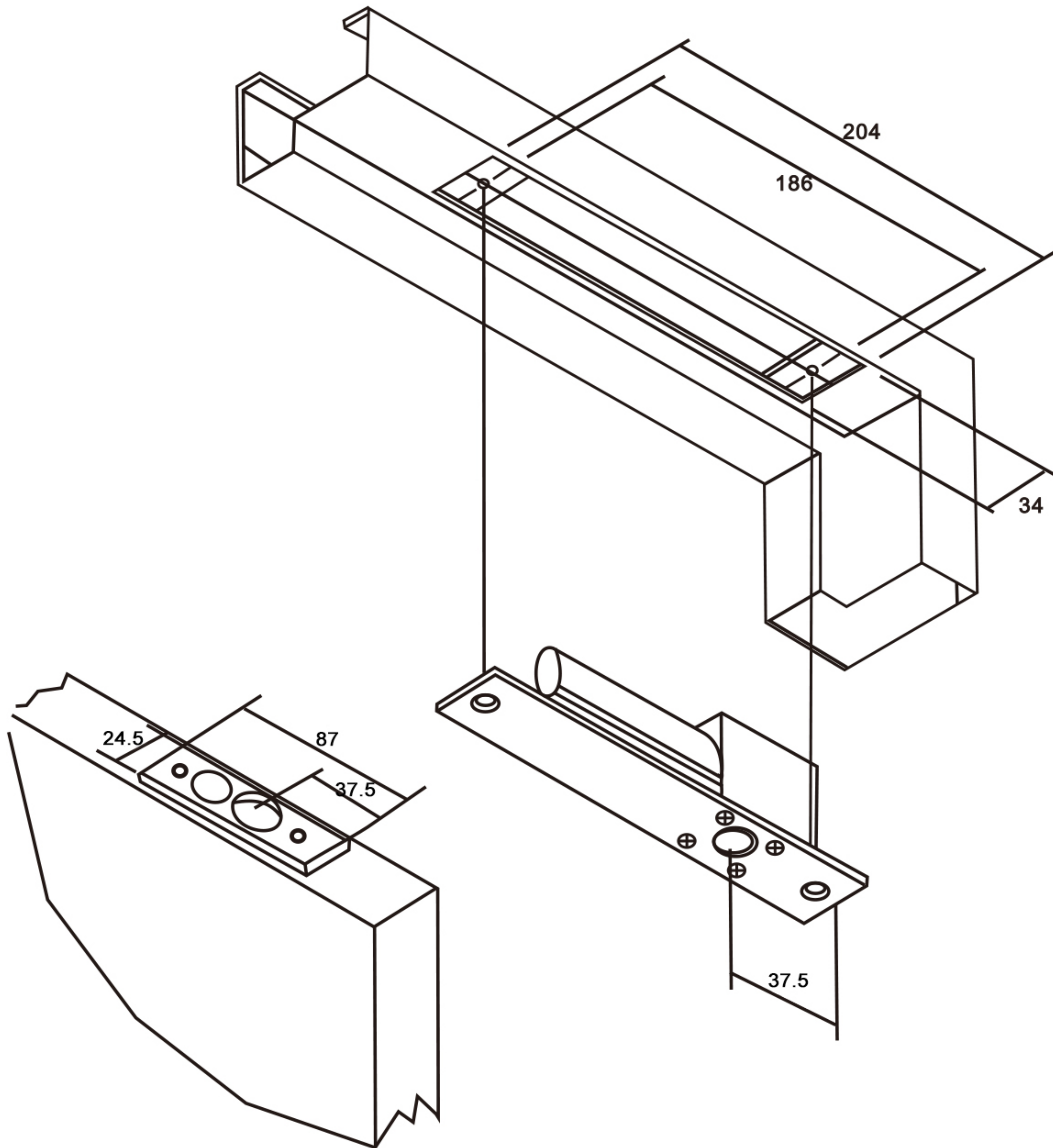
安全类型:通电上锁,断电开锁

锁心:直径15MM不锈钢锁心,伸出长度15MM

上锁方式:磁感应

原装清单:

电插锁	1把	螺丝	1包
面板盖板	1块	说明书	1张
感应锁扣	1块	合格证	1张



Electric drop bolt instruction

Main characteristics:

Working voltage:12VDC

Red-Power supply(+)

Black-Power ground(-)

Working current:(Ordinary)Start state 450mA

Persistent state 450mA

(Low temperature)Start state 750mA

Persistent state 180mA

Coil type:Continuous working

Security type:Electri power lock,unlock

Lock core:The diameter og 15MM stainless
core,extending the lengh of 15MM

Locking mode:Magnetic induction

The original list:

Electric mortise lock	(A handful of)
Panel cover	(A block)
Induction lock	(A block)
Screw	(A packet of)
Manual	(A piece of)
Certificate of confromity	(A piece of)

